

Fig No. K-301T Standard Bore
1/4" ~ 2" DN 8- DN 50



Features :

- Investment casting, Blow-out-proof stem
- Three pieces end caps, Three seats design
- 360 degree rotation design
- For Chemical, Industrial Application
- Carbon Steel or Super Alloy upon request

Standard Compliance :

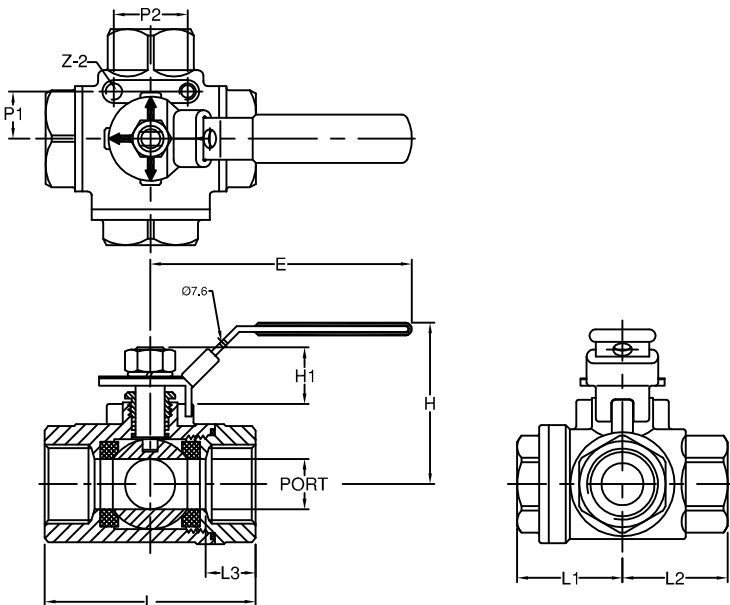
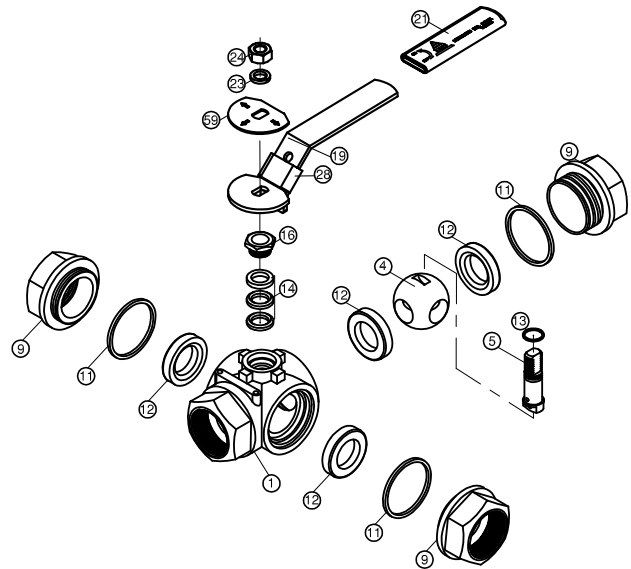
- Body wall thickness : EN 12516-1/3
- Threaded end : BS 21 (BSP)
- BSPT
- ISO 228-1G
- DIN 2999
- ISO 7-1Rp
- Face to Face : MD's standard
- Body material : EN1503-1
- Pressure testing : EN 12266

Specification :

- End connection : Threaded end
- Working Pressure : 1000 Psi / 63 Bar (CWP)
- Temperature : -20 to 180°C

MATERIALS LIST

NO.	PART NAME	MATERIAL
1	BODY	ASTM A351 Gr.CF8M
4	BALL	ASTM A351 Gr.CF8M
5	STEM	SS316
9	END CAP	ASTM A351 Gr.CF8M
11	BODY SEAL	PTFE.
12	SEAT	PTFE.
13	THRUST WASHER	PTFE.
14	STEM PACKING	PTFE.
16	GLAND NUT	SS304
19	HANDWHEEL	SS304
21	HANDLE COVER	PLASTIC
22	STEM NUT	SS304
23	HANDLE WASHER	SS304
26	PLUNGER SPRING	SS304
27	ANTI-STATIC DEVICE	SS316
28	LOCKING DEVICE	SS304



DIMENSIONS

SIZE	PORT	L	L1	L2	L3	E	H	H1	Z-2	P1	P2	
DN8	1/4"	11.7	75.0	34.0	37.5	17.0	125.0	53.0	33.0	10-24UNC	12.7	28.5
DN10	3/8"	12.8	75.0	34.0	37.5	17.0	125.0	53.0	33.0	10-24UNC	12.7	28.5
DN15	1/2"	12.8	75.0	34.0	37.5	17.0	125.0	53.0	33.0	10-24UNC	12.7	28.5
DN20	3/4"	16.0	85.0	39.0	42.5	17.5	125.0	64.0	30.0	10-24UNC	22.4	35.0
DN25	1"	20.0	103.0	51.0	50.0	20.0	145.0	66.0	35.0	10-24UNC	22.4	35.0
DN32	1-1/4"	25.2	115.0	51.0	57.5	21.0	145.0	79.0	35.0	1/4"-20UNC	25.4	38.1
DN40	1-1/2"	32.2	125.0	58.0	62.5	22.0	205.0	83.0	44.0	1/4"-20UNC	25.4	38.1
DN50	2"	38.2	148.0	63.0	75.0	25.0	205.0	94.0	40.0	1/4"-20UNC	25.4	38.1

SIZE	PORT	L	L5	L6	E	H	OJ	
DN8	1/4"	0.46	2.95	1.34	1.48	4.92	2.09	10-24 UNC
DN10	3/8"	0.5	2.95	1.34	1.48	4.92	2.09	10-24 UNC
DN15	1/2"	12.8	2.95	1.34	1.48	4.92	2.09	10-24 UNC
DN20	3/4"	0.63	3.35	1.54	1.67	4.92	2.52	10-24 UNC
DN25	1"	0.79	4.06	2.01	1.97	5.71	2.6	10-24 UNC
DN32	1-1/4"	0.99	4.53	2.01	2.26	5.71	3.11	1/4"-20 UNC
DN40	1-1/2"	1.27	4.92	2.28	2.46	8.07	3.27	1/4"-20 UNC
DN50	2"	1.5	5.83	2.48	2.95	8.07	3.7	1/4"-20 UNC