

**Fig no. K-303L/T Standard Bore**  
1/4" ~ 3" DN 8- DN 80



**Features :**

- Investment Casting, ISO 5211 Mounting Pad
- Blow out proof stem
- 360 degree rotation design
- For Chemical, Industrial Application
- Carbon Steel or Super Alloy upon request

**Standard Compliance :**

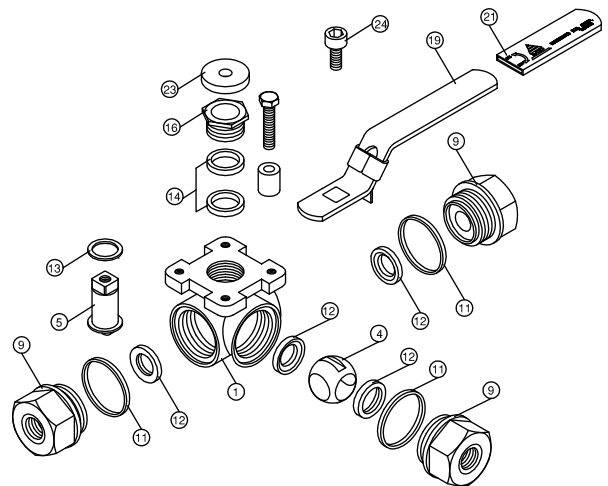
- Body wall thickness : EN 12516-1/3
- Threaded end : BS 21 (BSP)
- BSPT
- ISO 228-1G
- DIN 2999
- ISO 7-1Rp
- Face to Face : MD's standard
- Body material : EN1503-1
- Pressure testing : EN 12266

**Specification :**

- End connection : Threaded end
- Working Pressure : 1000 Psi / 63 Bar ( CWP )
- Temperature : -20 to 180°C

**MATERIALS LIST**

NO.	PART NAME	MATERIAL
1	BODY	ASTM A351 Gr.CF8M
4	BALL	ASTM A351 Gr.CF8M
5	STEM	SS316
9	END CAP	ASTM A351 Gr.CF8M
11	BODY SEAL	PTFE.
12	SEAT	PTFE.
13	THRUST WASHER	PTFE.
14	STEM PACKING	PTFE.
15	GLAND	SS304
19	HANDLE	SS304
21	HANDLE COVER	VINYL GRIP
23	HANDLE WASHER	SS304
24	HANDLE NUT	SS304



**DIMENSION**

SIZE	PORT	L	L5	E	H	H1	C	ØK	unit:mm
DN8	1/4"	11.0	69.4	34.6	133.4	60.7	10.7	9.0	M5xP0.8
DN10	3/8"	11.0	69.4	34.6	133.4	60.7	10.7	9.0	M5xP0.8
DN15	1/2"	12.5	75.7	37.3	133.4	64.1	10.7	9.0	M5xP0.8
DN20	3/4"	16.0	86.6	44.7	178.5	82.4	13.9	11.0	M6xP1.0
DN25	1"	20.0	102.4	51.4	178.5	86.1	20.0	11.0	M6xP1.0
DN32	1-1/4"	25.0	118.2	57.7	209.9	91.4	23.8	11.0	M6xP1.0
DN40	1-1/2"	32.0	125.8	62.7	208.0	102.7	25.8	11.0	M8xP1.25
DN50	2"	38.0	149.0	74.6	229.9	110.7	25.3	14.0	M8xP1.25
DN65	2-1/2"	50.0	160.0	80.0	229.9	115.8	24.5	14.0	M8xP1.25
DN80	3"	65.0	185.0	92.5	265.0	132.0	25.5	17.0	M10xP1.5

SIZE	PORT	L	L5	E	H	H2	C	ØK	Z-4	unit:inch
DN8	1/4"	0.43	2.73	1.36	5.25	2.39	0.42	0.35	1.65	M5xP0.8
DN10	3/8"	0.43	2.73	1.36	5.25	2.39	0.42	0.35	1.65	M5xP0.8
DN15	1/2"	0.49	2.98	1.47	5.25	2.52	0.42	0.35	1.65	M5xP0.8
DN20	3/4"	0.63	3.41	1.76	7.03	3.24	0.55	0.43	1.97	M6xP1.0
DN25	1"	0.79	4.03	2.02	7.03	3.39	0.79	0.43	1.97	M6xP1.0
DN32	1-1/4"	0.98	4.65	2.27	8.26	3.6	0.94	0.43	1.97	M6xP1.0
DN40	1-1/2"	1.26	4.95	2.47	8.19	4.04	1.02	0.43	2.76	M8xP1.25
DN50	2"	1.5	5.87	2.94	9.05	4.36	1	0.55	2.76	M8xP1.25
DN65	2-1/2"	1.97	6.3	3.15	10.43	5.2	0.96	0.55	2.76	M8xP1.25
DN80	3"	2.56	7.28	3.64	10.43	5.2	1.14	0.67	4.02	M10xP1.5

