

Fig no. K-314L/T Full Bore
1/2" ~ 3" DN 15 ~ DN 80



Features :

Investment Casting, Four Seat & Screwed Body Design
Blow out proof stem, Direct Mounting to Actuator
360 degree rotation design
For Chemical, Industrial Application
Carbon Steel or Super Alloy upon request

Standard Compliance :

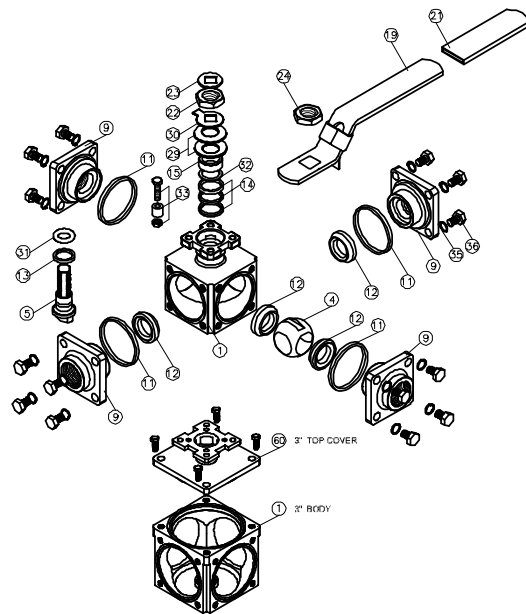
Body wall thickness : EN 12516-1/2/3
Threaded end : BS 21 (BSP)
BSPT
ISO 228-1G
DIN 2999
ISO 7-1Rp
Face to Face : MD's standard
Body material : EN1503-1
Pressure testing : EN 12266

Specification :

End connection : Threaded end
Working Pressure : 1000 Psi / 63 Bar (CWP)
Temperature : -20 to 180°C

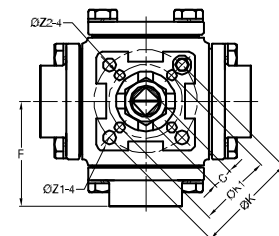
MATERIALS LIST

NO.	PART NAME	MATERIAL
1	BODY	ASTM A351 Gr.CF8M
4	BALL	ASTM A351 Gr.CF8M
5	STEM	SS316
9	END CAP	ASTM A351 Gr.CF8M
11	BODY SEAL	PTFE.
12	SEAT	RTFE.
13	THRUST WASHER	PTFE.
14	STEM PACKING	PTFE.
15	GLAND	SS304
19	HANDWHEEL	SS304
21	HANDLE COVER	PLASTIC
22	STEM NUT	SS304
23	HANDLE WASHER	SS304
24	HANDLE NUT	SS304
29	BELLEVILLE WASHER	SS410
30	TAB WASHER	SS304
31	O-RING	VITON
32	PACKING FOLLOWER	PTFE.+25%GF
33	STOP PIN	SS304
35	BODY BOLT	SS304
36	BOLT WASHER	SS304



DIMENSIONS

SIZE	PORT	L	E	H1	H	H4	C	F	ØK	ØK1	Z1	Z2
DN15	1/2"	16.0	96.0	186.5	9.0	89.0	47.8	9.0	48.0	12.0	6.0	
DN20	3/4"	20.0	107.0	218.0	11.0	98.0	58.2	9.0	53.5	15.0	7.0	
DN25	1"	25.0	126.0	218.0	11.5	102.0	64.0	9.0	63.0	18.0	7.0	
DN32	1-1/4"	32.0	133.0	235.0	15.2	118.5	79.0	14.0	66.5	20.0	9.0	7.0
DN40	1-1/2"	38.0	151.0	235.0	14.3	127.0	88.5	14.0	75.5	25.0	9.0	7.0
DN50	2"	50.0	166.0	252.0	17.8	139.0	105.8	17.0	83.0	30.0	11.0	9.0
DN65	2-1/2"	65.0	175.0	252.0	17.5	165.7	117.3	17.0	87.5	35.0	11.0	9.0
DN80	3"	80.0	207.2	252.0	17.5	170.0	128.0	17.0	103.6	40.0	11.0	9.0



SIZE	PORT	L	L2	L5	E	H	H1	H4	C	ØK	ØK1	Z	Z1	SW
DN15	1/2"	0.63	3.78	0.39	1.89	7.34	3.5	0.35	1.88	0.35	1.65	0.24	0.28	0.86
DN20	3/4"	0.79	4.21	0.51	2.11	8.58	3.86	0.43	2.29	0.35	1.97	0.28	0.28	1.08
DN25	1"	0.98	4.96	0.51	2.48	8.58	4.02	0.45	2.52	0.35	1.97	0.28	0.28	1.34
DN32	1-1/4"	1.26	5.24	0.51	2.62	9.25	4.67	0.6	3.11	0.55	2.76	0.35	0.28	1.68
DN40	1-1/2"	1.5	5.94	0.51	2.97	9.25	5.0	0.56	3.48	0.55	2.76	0.35	0.28	1.93
DN50	2"	1.97	6.54	0.63	3.27	9.92	5.47	0.7	4.17	0.67	4.02	0.43	0.35	2.4
DN65	2-1/2"	2.56	6.89	0.63	3.44	9.92	6.52	0.69	4.62	0.67	4.02	0.43	0.35	3.03
DN80	3"	3.15	8.16	0.63	4.08	9.92	6.69	0.69	5.04	0.67	4.02	0.43	0.35	3.55

