

Fig no. K-315X Full Bore
1/2" ~ 2" DN 15 ~ DN 50



Features :

Investment Casting, Four Seat & Screwed Body Design
 Blow out proof stem, Direct Mounting to Actuator
 360 degree rotation design
 For Chemical, Industrial Application
 Carbon Steel or Super Alloy upon request

Standard Compliance :

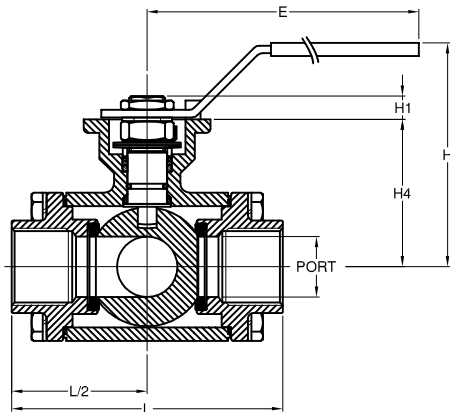
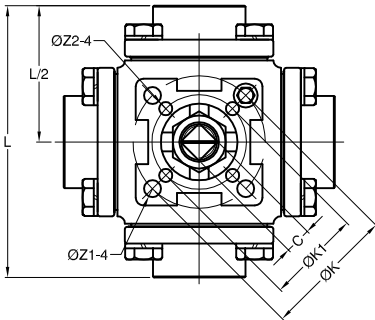
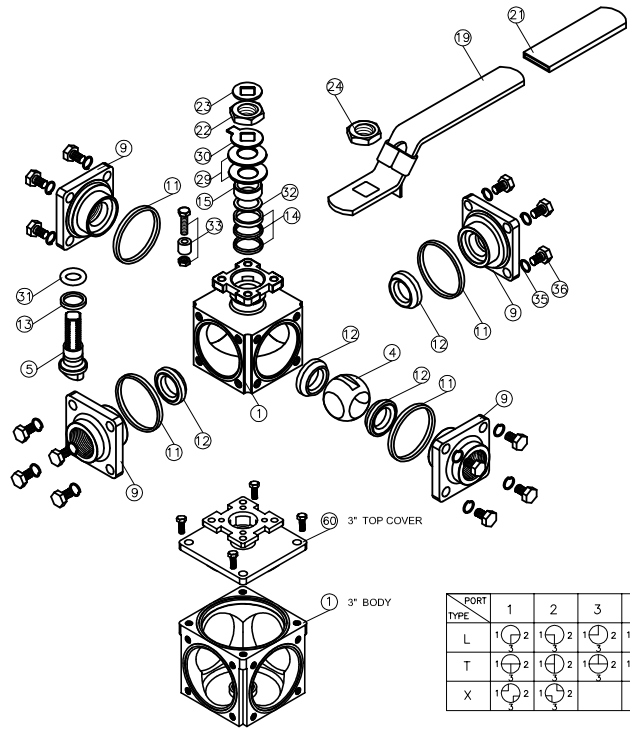
Body wall thickness : EN 12516-1/2/3
 Threaded end : BS 21 (BSP)
 BSPT
 ISO 228-1G
 DIN 2999
 ISO 7-1Rp
 Face to Face : MD's standard
 Body material : EN1503-1
 Pressure testing : EN 12266

Specification :

End connection : Threaded end
 Working Pressure : 63 bar (CWP) / 1000PS
 Temperature : -20 to 180 C

MATERIALS LIST

NO.	PART NAME	MATERIAL
1	BODY	ASTM A351 Gr.CF8M
4	BALL	ASTM A351 Gr.CF8M
5	STEM	SS316
9	CAP	ASTM A351 Gr.CF8M
11	BODY SEAL	PTFE.
12	SEAT	RTFE.
13	THRUST WASHER	PTFE.
14	STEM PACKING	PTFE.
15	GLAND BUSH	SS304
19	HANDLE	SS304
21	HANDLE COVER	VINYL GRIP
22	STEM NUT	SS304
23	HANDLE WASHER	SS304
24	HANDLE NUT	SS304
28	LOCKING PAD	SS304(OPTION)
29	BELLEVILLE WASHER	SS304-CSP
30	TAB WASHER	SS304
31	O-RING	VITON
32	PACKING FOLLOWER	PTFE.+25%GF
60	TOP COVER	ASTM A351 Gr.CF8M



PORT TYPE	1	2	3	4
L	1/2	1/2	1/2	1/2
T	1/2	1/2	1/2	1/2
X	1/2	1/2		

DIMENSIONS

SIZE		PORT	L	E	H1	H	H4	C	ØZ	ØK	Z1	Z2
DN15	1/2"	16.0	96.0	186.5	9.0	89.0	47.8	9.0	42.0 F14	6.0		
DN20	3/4"	20.0	107.0	218.0	11.0	98.0	58.2	9.0	50.0 F05	7.0		
DN25	1"	25.0	126.0	218.0	11.5	102.0	64.0	9.0	50.0 F05	7.0		
DN32	1-1/4"	32.0	133.0	235.0	15.2	118.5	79.0	14.0	70.0 F07	9.0	7.0	
DN40	1-1/2"	38.0	151.0	235.0	14.3	127.0	88.5	14.0	70.0 F07	9.0	7.0	
DN50	2"	50.0	166.0	252.0	17.8	139.0	105.8	17.0	102.0 F10	11.0	9.0	

SIZE		PORT	L	E	H	H1	H4	C	Z	Z1	ØK	ØK1
DN15	1/2"	0.63	3.78	5.24	3.5	0.35	1.97	0.35	0.24		1.65	
DN20	3/4"	0.79	4.21	7.03	3.86	0.43	2.34	0.43	0.28		1.97	
DN25	1"	0.98	4.96	7.03	4.02	0.45	2.5	0.43	0.28		1.97	
DN32	1-1/4"	1.26	5.24	9.06	4.67	0.6	3.13	0.55	0.35	0.28	2.76	1.97
DN40	1-1/2"	1.5	5.94	9.06	5	0.56	3.46	0.55	0.35	0.28	2.76	1.97
DN50	2"	1.97	6.54	9.84	5.47	0.7	4.13	0.67	0.43	0.35	4.02	2.76
DN65	2-1/2"	2.56	6.89	9.84	6.52	0.69	4.62	0.67	0.43	0.35	4.02	2.76