

Fig no. K-318L/T Standard Bore
1/4" ~ 2" DN 8- DN 50



Features :

- Investment Casting, Four Seat & Screwed Body Design
- Blow out proof stem, Direct Mounting to Actuator
- 360 degree rotation design
- For Chemical, Industrial Application
- Carbon Steel or Super Alloy upon request

Standard Compliance :

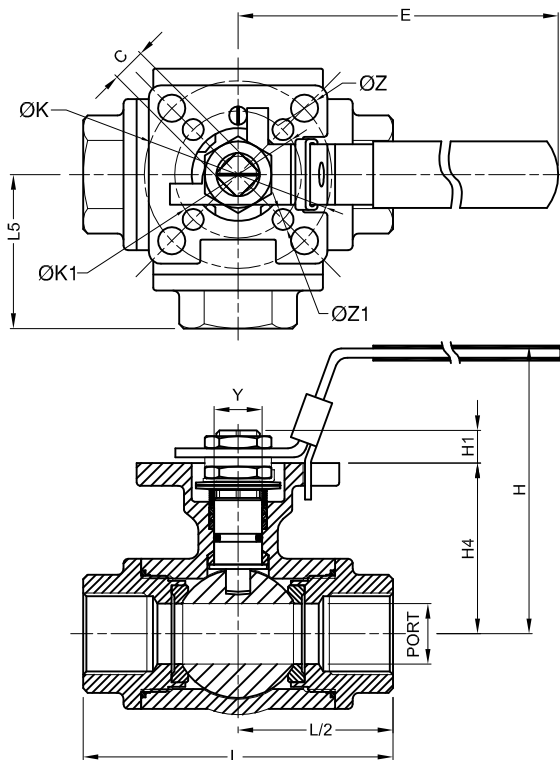
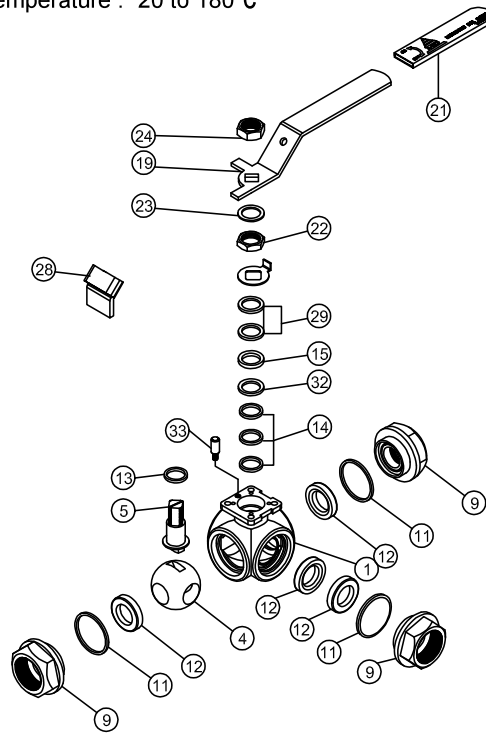
- Body wall thickness : EN 12516-1/3
- Threaded end : BS 21 (BSP)
- BSPT
- ISO 228-1G
- DIN 2999
- ISO 7-1Rp
- Face to Face : MD's standard
- Body material : EN1503-1
- Pressure testing : EN 12266

Specification :

- End connection : Threaded end
- Working Pressure : 63 BAR(CWP) / 1000 PSI for DN65-100
- Temperature : -20 to 180°C

MATERIALS LIST

NO.	PART NAME	MATERIAL
1	BODY	ASTM A351 Gr.CF8M
4	BALL	ASTM A351 Gr.CF8M
5	STEM	SS316
9	END CAP	ASTM A351 Gr.CF8M
11	BODY SEAL	RTFE.
12	SEAT	RTFE.
13	THRUST WASHER	RTFE.
14	STEM PACKING	RTFE.
15	GLAND BUSH	SS304
19	HANDLE	SS304
21	HANDLE COVER	PLASTIC
22	STEM NUT	SS304
24	HANDLE NUT	SS304
29	BELLEVILLE WASHER	SS304-CSP
30	TAB WASHER	SS304
31	O-RING	VITON
32	PACKING FOLLOWER	PTFE.+25%GF
33	STOP PIN	SS304



DIMENSIONS

SIZE	PORT	L	L5	E	H	H1	H4	C	Y	ØK	ØK1	Z	Z1
DN8	1/4"	11.0	75.7	37.3	112.0	77.5	9.0	38.2	9.0	12.0	42.0	6.0	
DN10	3/8"	11.0	75.7	37.3	112.0	77.5	9.0	38.2	9.0	12.0	42.0	6.0	
DN15	1/2"	12.7	75.7	37.3	112.0	77.5	9.0	38.2	9.0	12.0	42.0	6.0	
DN20	3/4"	16.0	86.6	44.7	112.0	82.0	9.0	45.2	9.0	12.0	42.0	6.0	
DN25	1"	20.0	102.4	51.4	136.5	93.7	11.0	56.5	11.0	15.8	50.0	7.1	
DN32	1-1/4"	25.0	118.2	57.7	188.0	101.1	11.0	61.9	11.0	15.8	50.0	7.1	
DN40	1-1/2"	32.0	125.8	62.7	197.5	120.3	14.3	78.3	14.0	20.8	70.0	9.2	7.1
DN50	2"	38.1	149.0	74.6	197.5	129.9	14.0	87.4	14.0	20.8	70.0	9.2	7.1

SIZE	PORT	L	L5	E	H	H1	H4	C	ØY	ØK	ØK1	Z	Z1
DN8	1/4"	0.43	2.98	1.47	4.41	3.05	0.35	1.5	0.35	0.47	1.65	0.24	
DN10	3/8"	0.43	2.98	1.47	4.41	3.05	0.35	1.5	0.35	0.47	1.65	0.24	
DN15	1/2"	0.5	2.98	1.47	4.41	3.05	0.35	1.5	0.35	0.47	1.65	0.24	
DN20	3/4"	0.63	3.41	1.76	4.41	3.23	0.35	1.79	0.35	0.47	1.65	0.24	
DN25	1"	0.79	4.03	2.02	5.37	3.69	0.43	2.22	0.43	0.62	1.97	0.28	
DN32	1-1/4"	0.98	4.65	2.27	7.4	3.98	0.43	2.44	0.43	0.62	1.97	0.28	
DN40	1-1/2"	1.26	4.95	2.47	7.78	4.74	0.56	3.08	0.55	0.82	2.76	1.97	0.36
DN50	2"	1.5	5.87	2.94	7.78	5.11	0.55	3.44	0.55	0.82	2.76	1.97	0.36