

Fig No: MD-55 Full Bore
1/2"~ 6" DN15~DN150



Features :

- Investment Cast Components
- Blow-Out-Proof Stem Design , Antistatic Device
- Direct Mounting of Actuators to Valves Design
- 360 Degree rotation Design
- Adjustable Stem Packing & Bottom Entry Stem
- For Food , General Chemical and Industrial Application
- Carbon Steel or Special Alloy Upon Request

Standard Compliance :

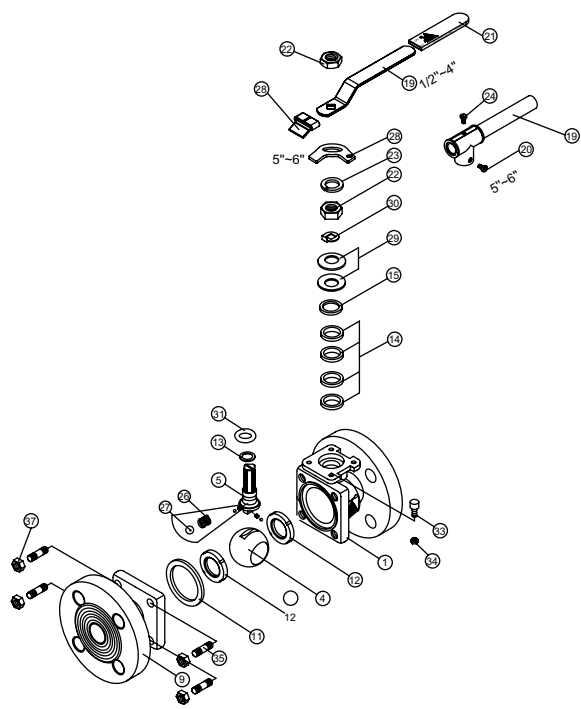
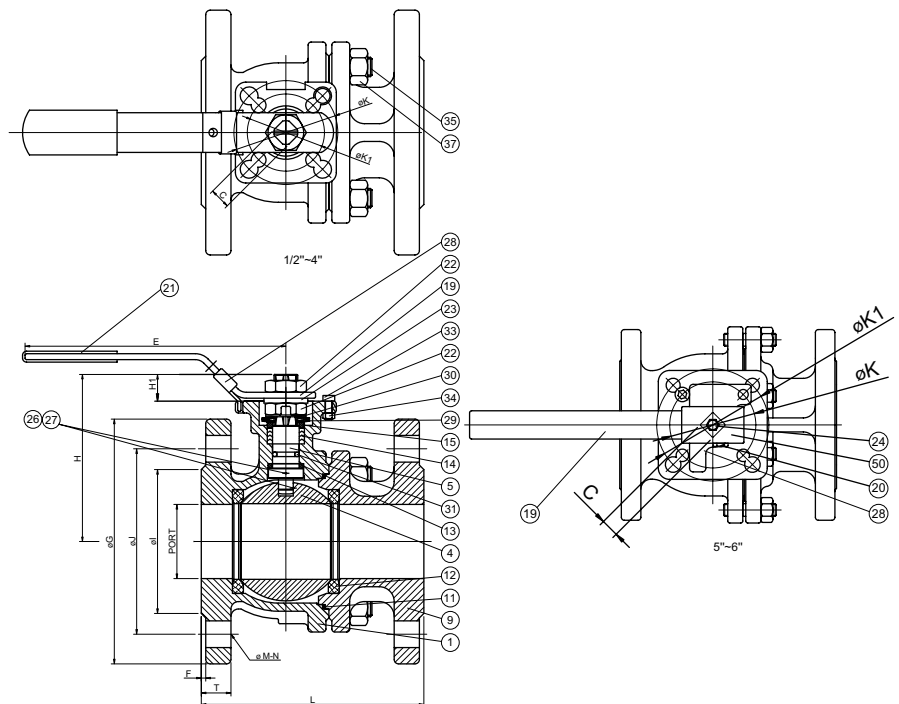
ASTM ASME B16.34 API 608 ANSI B16.5 ANSI B16.10 API 598

Specifications:

End Connection : Flanged End
Face to Face : ANSI B16.10 Class 150
Flanged Dimension According to ANSI B16.5 Class 150
Working Pressure : 275 Psi / 20 Bar (CWP)
Saturated Steam : 150 Psig / 285°F / 10 Bar / 140°C
Temperature Range : - 4 to 356°F / - 20 to 180°C
Pressure Test According to API 598

MATERIALS LIST

NO.	PART NAME	MATERIAL
1	BODY	ASTM A351 GR.CF8M
4	BALL	ASTM A351 GR.CF8M
5	STEM	SS316
9	END CAP	ASTM A351 GR.CF8M
11	BODY SEAL	PTFE
12	SEAT	PTFE+15%GF
13	THRUST WASHER	PTFE+15%GF
14	STEM PACKING	PTFE
15	GLAND	SS304
19	HANDLE	SS304/CARBON STEEL
20	SET SCREW	SS304
22	STEM NUT	SS304
23	STEM WASHER	SS304
24	HANDLE NUT	SS304
28	LOCKING PAD	SS304
29	BELLEVILLE WASHER	SS304
30	STOP WASHER	SS304
31	O-RING	VITON
33	STOP PIN	SS304
35	STUD	A193 Gr.B8
37	NUT	A194 Gr.8
50	HANDLE ADAPTER	SS304



DIMENSIONS

unit:mm

SIZE	PORT	L	E	H1	H	C	ØG	ØJ	ØI	T	F	ØM-N	ØK	ØK1
1/2"	15.0	108.0	142.0	13.0	67.0	11.0	88.9	60.5	35.1	11.2	2.0	Ø16-4	50.0	42.0
3/4"	20.0	117.4	142.0	13.0	69.5	11.0	98.6	69.9	42.9	11.2	2.0	Ø16-4	50.0	42.0
1"	25.0	127.0	142.0	13.6	76.1	11.0	108.0	79.2	50.8	11.2	2.0	Ø16-4	50.0	42.0
1-1/4"	32.0	139.7	142.0	13.5	88.5	11.0	117.3	88.9	63.5	12.7	2.0	Ø16-4	50.0	42.0
1-1/2"	38.0	165.1	200.0	16.0	103.0	14.0	127.0	98.6	73.2	14.3	2.0	Ø16-4	70.0	50.0
2"	50.0	177.8	200.0	16.0	110.6	14.0	152.4	120.7	91.9	15.9	2.0	Ø19.1-4	70.0	50.0
2-1/2"	65.0	190.5	210.0	19.0	131.8	17.0	177.8	139.7	104.6	17.6	2.0	Ø19.1-4	70.0	102.0
3"	80.0	203.2	283.0	24.0	153.3	22.0	190.5	152.4	127.0	19.1	2.0	Ø19.1-4	125.0	102.0
4"	100.0	228.6	283.0	24.0	168.3	22.0	228.6	190.5	157.2	23.9	2.0	Ø19.1-4	125.0	102.0
5"	125.0	356.0	840.0	30.0	224.0	27.0	254.0	215.9	185.7	23.9	1.5	Ø22.4-8	140.0	125.0
6"	152.0	394.0	840.0	30.0	243.0	27.0	279.4	241.3	215.9	25.4	1.5	Ø22.4-8	140.0	125.0