

**Fig no. V-105B Full Bore**  
**1/4" ~ 4" DN 8- DN 100**



**Features :**

- Investment Casting
- Blow out proof stem, In-line Maintenance
- For Chemical, Industrial Application
- Carbon Steel or Super Alloy upon request

**Standard Compliance :**

- Body wall thickness : EN 12516-1/2/3
- Butt Weld : B16.25
- Face to Face : MD's standard
- Body material : EN1503-1
- Pressure testing : EN 12266

**Specification :**

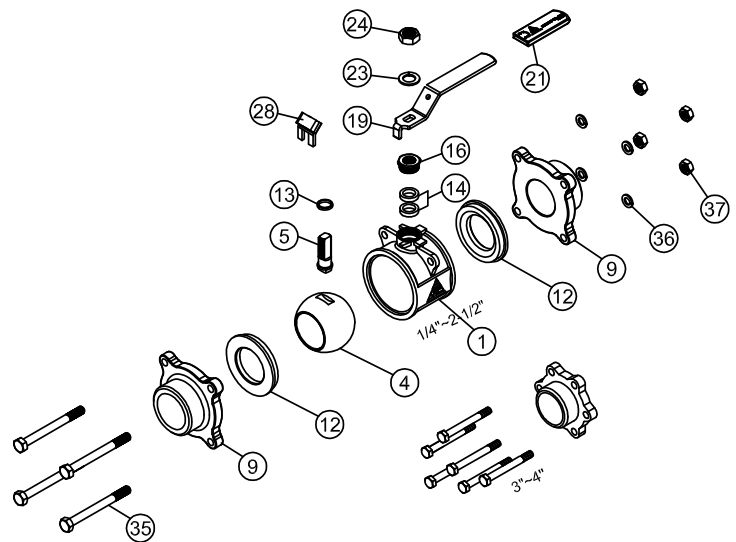
- End connection : Butt Weld end
- Working Pressure : 63 bar ( CWP ) for DN8-50 / 1000 PSI
- 40 bar ( CWP ) for DN65-100 / 800 PSI
- Temperature : -20 to 180°C

**Option :**

- 1. Locking Device Handle
- 2. F to F Length : DIN 3203 S13

**MATERIALS LIST**

NO.	PART NAME	MATERIAL
1	BODY	ASTM A351 Gr.CF8M
4	BALL	ASTM A351 Gr.CF8M
5	STEM	SS316
9	END CAP	ASTM A351 Gr.CF8M
12	SEAT	PTFE.
13	THRUST WASHER	PTFE.
14	STEM PACKING	PTFE.
16	GLAND NUT	SS304
19	HANDLE	SS304
21	HANDLE COVER	PLASTIC
23	HANDLE WASHER	SS304
24	HANDLE NUT	SS304
28	LOCKING DEVICE	SS304 (OPTION)
35	BODY BOLT	SS304
36	BOLT WASHER	SS304
37	BOLT NUT	SS304



**DIMENSIONS**

V-105B	SIZE	D	L	H	E	d	h
mm	1/4 "	11.50	54.10	49.00	97.30	13.70	10.50
	3/8 "	12.50	54.10	49.00	97.30	17.10	10.50
	1/2 "	15.00	63.50	56.40	122.90	21.30	13.00
	3/4 "	20.00	72.40	61.00	122.90	26.70	15.00
	1 "	25.00	81.00	69.10	144.80	33.40	15.00
	1-1/4 "	32.00	94.50	72.90	144.80	42.20	16.50
	1-1/2 "	38.00	108.00	84.60	189.00	48.30	17.50
	2 "	50.00	121.40	91.40	189.00	60.30	17.40
	2-1/2 "	65.00	157.50	115.10	255.30	73.00	22.50
	3 "	80.00	190.00	139.40	260.90	88.90	28.60
	4 "	100.00	225.00	216.50	325.00	114.30	30.25
	inch	1/4 "	0.45	2.13	1.93	3.83	0.54
3/8 "		0.49	2.13	1.93	3.83	0.67	0.41
1/2 "		0.59	2.50	2.22	4.84	0.84	0.51
3/4 "		0.79	2.85	2.40	4.84	1.05	0.59
1 "		0.98	3.19	2.72	5.70	1.31	0.59
1-1/4 "		1.26	3.72	2.87	5.70	1.66	0.65
1-1/2 "		1.50	4.25	3.33	7.44	1.90	0.69
2 "		1.97	4.78	3.60	7.44	2.37	0.69
2-1/2 "		2.56	6.20	4.53	10.05	2.87	0.89
3 "		3.15	7.48	5.49	10.27	3.50	1.13
4 "		3.94	8.86	8.52	12.80	4.50	1.19

