

**Fig no. V-105MS Full Bore**  
1/4" ~ 4" DN 8- DN 100



**Features :**

Investment Casting, ISO 5211 Mounting Pad  
Blow out proof stem, In-line Maintenance  
For Chemical, Industrial Application  
Carbon Steel or Super Alloy upon request

**Standard Compliance :**

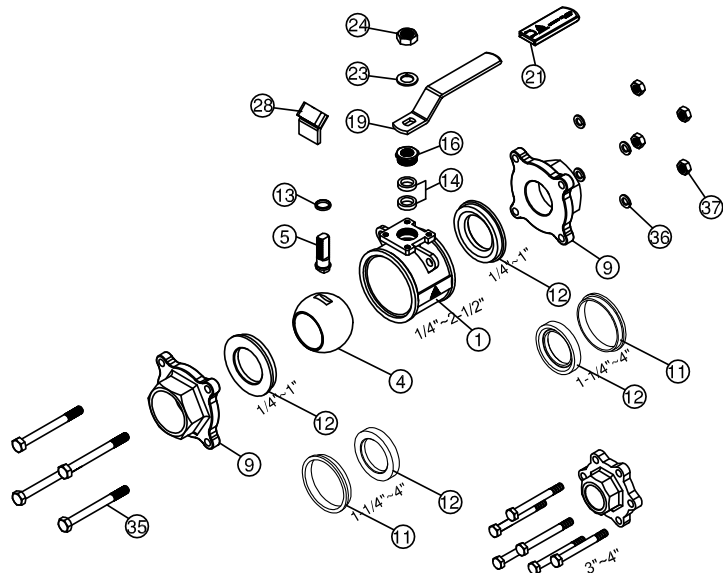
Body wall thickness : EN 12516-1/2/3  
Socket Weld : B16.11  
Face to Face : MD's standard  
Body material : EN1503-1  
Pressure testing : EN 12266

**Specification :**

End connection : Socket Weld end  
Working Pressure : 63 bar ( CWP ) / 1000PSI for DN8-50  
40 bar ( CWP ) / 800 PSI for DN65-100  
Temperature : -20 to 180°C

**MATERIALS LIST**

NO.	PART NAME	MATERIAL
1	BODY	ASTM A351 Gr.CF8M
4	BALL	ASTM A351 Gr.CF8M
5	STEM	SS316
9	END CAP	ASTM A351 Gr.CF8M
11	BODY SEAL	PTFE.
12	SEAT	PTFE.
13	THRUST WASHER	PTFE.
14	STEM PACKING	PTFE.
15	GLAND	SS304
19	HANDLE	SS304
21	HANDLE COVER	PLASTIC
23	HANDLE WASHER	SS304
24	HANDLE NUT	SS304
28	LOCKING DEVICE	SS304 (OPTION)
35	BODY BOLT	SS304
36	BOLT WASHER	SS304
37	BOLT NUT	SS304



**DIMENSIONS**

V-105MS	SIZE	BORE	L	E	H	H1	K	Z	G	L1
Mm	1/4 "	11.00	63.70	102.00	54.00	15.00	36.00	M5XP0.8	14.20	10.00
	3/8 "	12.50	63.70	102.00	54.00	15.00	36.00	M5XP0.8	17.50	10.00
	1/2 "	15.00	65.70	102.00	55.00	15.00	36.00	M5XP0.8	21.80	10.00
	3/4 "	20.00	76.20	126.00	65.00	19.00	36.00	M5XP0.8	27.40	13.00
	1 "	25.40	86.20	126.00	71.00	19.00	36.00	M5XP0.8	34.10	13.00
	1-1/4 "	32.00	102.80	154.00	89.00	26.00	50.00	M6XP1.0	42.70	13.00
	1-1/2 "	38.10	119.40	154.00	94.00	26.00	50.00	M6XP1.0	49.00	13.00
	2 "	50.80	131.40	188.00	100.00	26.00	50.00	M6XP1.0	61.00	16.00
	2-1/2 "	65.00	164.00	265.00	121.00	37.00	70.00	M8XP1.25	77.00	16.00
	3 "	80.00	182.70	265.00	134.00	37.00	102.00	M10XP1.5	90.20	16.00
4 "	100.00	236.20	272.00	175.00	50.00	102.00	M10XP1.5			
inch	1/4 "	0.43	2.51	4.02	2.13	0.59	1.42	M5XP0.8	0.56	0.39
	3/8 "	0.49	2.51	4.02	2.13	0.59	1.42	M5XP0.8	0.69	0.39
	1/2 "	0.59	2.59	4.02	2.17	0.59	1.42	M5XP0.8	0.86	0.39
	3/4 "	0.79	3.00	4.96	2.56	0.75	1.42	M5XP0.8	1.08	0.51
	1 "	1.00	3.39	4.96	2.80	0.75	1.42	M5XP0.8	1.34	0.51
	1-1/4 "	1.26	4.05	6.06	3.50	1.02	1.97	M6XP1.0	1.68	0.51
	1-1/2 "	1.50	4.70	6.06	3.70	1.02	1.97	M6XP1.0	1.93	0.51
	2 "	2.00	5.17	7.40	3.94	1.02	1.97	M6XP1.0	2.40	0.63
	2-1/2 "	2.56	6.46	10.43	4.76	1.46	2.76	M8XP1.25	3.03	0.63
	3 "	3.15	7.19	10.43	5.28	1.46	4.02	M10XP1.5	3.55	0.63
4 "	3.94	9.30	10.71	6.89	1.97	4.02	M10XP1.5			

