

Fig no. V-105MT Full Bore
1/4" ~ 4" DN 8- DN 100



Features :

Investment Casting, ISO 5211 Mounting Pad
Blow out proof stem, In-line Maintenance
For Chemical, Industrial Application
Carbon Steel or Super Alloy upon request

Standard Compliance :

Body wall thickness : EN 12516-1/2/3

Threaded End : BS 21 (BSP)
BSPT
ISO 228-1G
DIN 2999
ISO 7-1Rp

Face to Face : MD's standard

Body material : EN1503-1

Pressure testing : EN 12266

Specification :

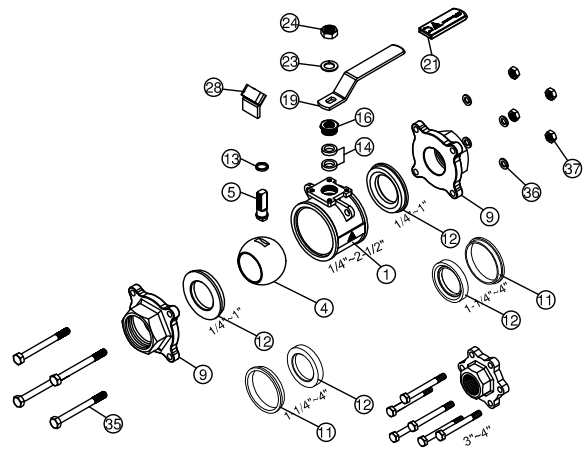
End connection : Threaded End

Working Pressure : 63 bar (CWP) / 1000PSI for DN8-50
40 bar (CWP) / 800 PSI for DN65-100

Temperature : -20 to 180°C

MATERIALS LIST

NO.	PART NAME	MATERIAL
1	BODY	ASTM A351 Gr.CF8M
4	BALL	ASTM A351 Gr.CF8M
5	STEM	SS316
9	END CAP	ASTM A351 Gr.CF8M
11	BODY SEAL	PTFE.
12	SEAT	PTFE.
13	THRUST WASHER	PTFE.
14	STEM PACKING	PTFE.
15	GLAND	SS304
19	HANDLE	SS304
21	HANDLE COVER	PLASTIC
23	HANDLE WASHER	SS304
24	HANDLE NUT	SS304
28	LOCKING DEVICE	SS304 (OPTION)
35	BODY BOLT	SS304
36	BOLT WASHER	SS304
37	BOLT NUT	SS304



DIMENSIONS

V-105MT	SIZE	BORE	L	E	H	H1	K	Z
mm	1/4 "	11.00	63.70	102.00	54.00	15.00	36.00	M5XP0.8
	3/8 "	12.50	63.70	102.00	54.00	15.00	36.00	M5XP0.8
	1/2 "	15.00	65.70	102.00	55.00	15.00	36.00	M5XP0.8
	3/4 "	20.00	76.20	126.00	65.00	19.00	36.00	M5XP0.8
	1 "	25.40	86.20	126.00	71.00	19.00	36.00	M5XP0.8
	1-1/4 "	32.00	102.80	154.00	89.00	26.00	50.00	M6XP1.0
	1-1/2 "	38.10	119.40	154.00	94.00	26.00	50.00	M6XP1.0
	2 "	50.80	131.40	188.00	100.00	26.00	50.00	M6XP1.0
	2-1/2 "	65.00	164.00	265.00	121.00	37.00	70.00	M8XP1.25
	3 "	80.00	182.70	265.00	134.00	37.00	102.00	M10XP1.5
4 "	100.00	236.20	272.00	175.00	50.00	102.00	M10XP1.5	
inch	1/4 "	0.43	2.51	4.02	2.13	0.59	1.42	M5XP0.8
	3/8 "	0.49	2.51	4.02	2.13	0.59	1.42	M5XP0.8
	1/2 "	0.59	2.59	4.02	2.17	0.59	1.42	M5XP0.8
	3/4 "	0.79	3.00	4.96	2.56	0.75	1.42	M5XP0.8
	1 "	1.00	3.39	4.96	2.80	0.75	1.42	M5XP0.8
	1-1/4 "	1.26	4.05	6.06	3.50	1.02	1.97	M6XP1.0
	1-1/2 "	1.50	4.70	6.06	3.70	1.02	1.97	M6XP1.0
	2 "	2.00	5.17	7.40	3.94	1.02	1.97	M6XP1.0
	2-1/2 "	2.56	6.46	10.43	4.76	1.46	2.76	M8XP1.25
	3 "	3.15	7.19	10.43	5.28	1.46	4.02	M10XP1.5
4 "	3.94	9.30	10.71	6.89	1.97	4.02	M10XP1.5	

