

**Fig No. V-106 Full Bore**  
**1/4" ~ 3" DN8 ~ 80**



**Features :**

Two Piece body design  
Investment cast Component, Blow-out-proof Stem  
For Industrial, chemical application  
Carbon Steel & Super Alloy upon request

**Standard Compliance :**

Body wall thickness : EN 12516-1/3  
Threaded end : BS 21 ( BSP )  
BSPT  
ISO 228-1  
DIN 2999  
ISO7-1Rp

Face to Face : MD's Standard  
Body Material : EN 1503-1  
Pressure Testing : EN12266

**Specification**

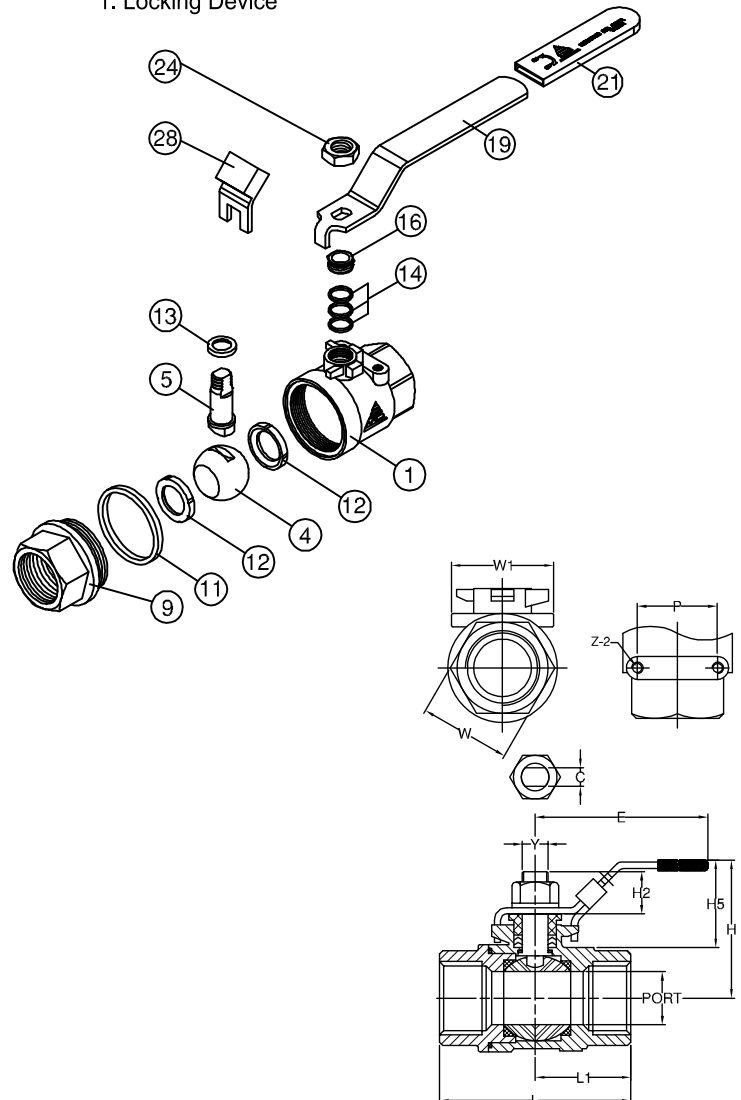
End Connection : Threaded end  
Working Pressure : 63 Bar ( CWP ) for DN8-50 / 800 PSI  
40 Bar ( CWP ) for DN65- 80 / 600 PSI  
Temperature : -20 ~ 180° C

**Option :**

1. Locking Device

**MATERIALS LIST**

NO.	PART NAME	MATERIAL
1	BODY	ASME A351 Gr.CF8M
4	BALL	ASTM A351 Gr.CF8M
5	STEM	SS316
9	END CAP	ASME A351 Gr.CF8M
11	BODY SEAL	PTFE.
12	SEAT	PTFE.
13	THRUST WASHER	PTFE.
14	STEM PACKING	PTFE.
16	GLAND NUT	SS304
19	HANDLE	SS304
21	HANDLE COVER	PLASTIC
24	HANDLE NUT	SS304
28	LOCKING DEVICE	SS304(OPTION)



**DIMENSIONS**

V-106	SIZE	BORE	L	E	H
mm	1/4 "	11.50	54.40	97.50	48.50
	3/8 "	12.50	54.40	97.50	48.50
	1/2 "	15.00	65.30	122.90	58.40
	3/4 "	20.00	77.20	122.90	62.50
	1 "	25.00	88.60	145.00	69.10
	1-1/4 "	32.00	102.40	145.00	77.50
	1-1/2 "	38.00	109.00	189.00	89.40
	2 "	50.00	125.30	189.00	98.00
	2 1/2 "	65.00	164.80	255.00	132.10
inch	3 "	80.00	189.50	261.10	140.60
	1/4 "	0.45	2.14	3.84	1.91
	3/8 "	0.49	2.14	3.84	1.91
	1/2 "	0.59	2.57	4.84	2.30
	3/4 "	0.79	3.04	4.84	2.46
	1 "	0.98	3.49	5.71	2.72
	1-1/4 "	1.26	4.03	5.71	3.05
	1-1/2 "	1.50	4.29	7.44	3.52
	2 "	1.97	4.93	7.44	3.86
2 1/2 "	2.56	6.49	10.04	5.20	
3 "	3.15	7.46	10.28	5.54	