

**Fig no. V-158B Full Bore**  
**1/4" ~ 4" DN 8 - DN 100**



**Features :**

- Investment Casting Component
- Blow out proof stem, ISO 5211 Direct mounting type
- In-line Maintenance
- For Chemical, Industrial Application
- Carbon Steel or Super Alloy upon request

**Standard Compliance :**

- Body wall thickness : EN 12516-1/2/3
- Butt Weld : B16.25
- Face to Face : MD's standard
- Body material : EN1503-1
- Pressure testing : EN 12266

**Specification :**

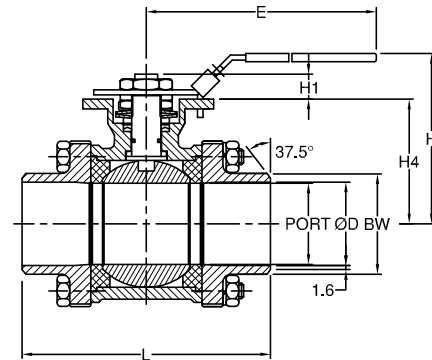
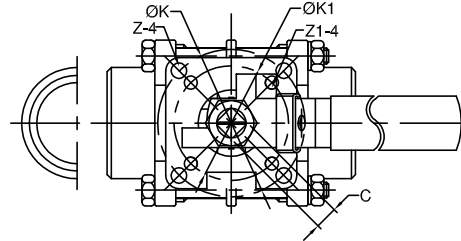
- End connection : Butt weld end
- Working Pressure : 63bar ( CWP ) / 1000 PSI for DN8-50  
 40 bar (CWP) / 800 PSI for DN65- 100
- Temperature : -20 to 180°C

**Option :**

- F to F Length : DIN 3202 S13

**MATERIALS LIST**

NO.	PART NAME	MATERIAL
1	BODY	ASTM A351 Gr.CF8M
4	BALL	ASTM A351 Gr.CF8M
5	STEM	SS316
9	END CAP	ASTM A351 Gr.CF8M
12	SEAT	RTFE.
13	THRUST WASHER	PTFE.
14	STEM PACKING	PTFE.
15	GLAND BUSH	SS304
19	HANDLE	SS304
21	HANDLE COVER	PLASTIC
22	STEM NUT	SS304
24	HANDLE NUT	SS304
28	LOCK DIVCE	SS304
29	BELLEVILLE WASHER	SS304-CSP
30	TAB WASHER	SS304
31	O-RING	VITON
32	PACKING FOLLWER	PTFE.+25%G.F.
35	BODY BOLT	SS304
36	BOLT WASHER	SS304
37	BOLT NUT	SS304



**DIMENSIONS**

unit:mm

SIZE	PORT	ØD	L	E	H	H1	H4	C	ØK	ØK1	Z-4	Z1-4	BW	
DN8	1/4"	11.0	11.0	63.5	112.0	73.0	8.5	37.0	9.0	50.0	36.0	7.0	6.0	13.7
DN10	3/8"	12.5	12.5	63.5	112.0	73.0	8.5	37.0	9.0	50.0	36.0	7.0	6.0	17.1
DN15	1/2"	15.0	15.8	63.5	112.0	73.0	8.5	37.0	9.0	50.0	36.0	7.0	6.0	21.3
DN20	3/4"	20.0	20.9	72.5	112.0	80.8	8.5	45.0	9.0	50.0	36.0	7.0	6.0	26.7
DN25	1"	25.0	26.6	81.0	136.0	90.5	11.4	53.5	9.0	50.0	36.0	7.0	6.0	33.4
DN32	1-1/4"	32.0	35.1	94.5	185.0	98.7	11.4	59.0	9.0	50.0	36.0	7.0	6.0	42.2
DN40	1-1/2"	38.1	40.9	108.0	197.9	115.3	14.0	74.8	14.0	70.0	50.0	9.0	7.0	48.3
DN50	2"	50.0	52.5	121.5	197.9	124.0	13.7	83.5	14.0	70.0	50.0	9.0	7.0	60.3
DN65	2-1/2"	62.7	62.7	157.5	267.0	155.0	18.0	108.8	17.0	102.0	70.0	11.0	9.0	73.0
DN80	3"	77.9	77.9	190.0	267.0	208.5	18.0	118.3	17.0	102.0	70.0	11.0	9.0	88.9
DN100	4"	100.0	102.3	225.0	322.0	216.7	18.0	153.8	17.0	102.0	70.0	11.0	9.0	114.3

unit:inch

SIZE	PORT	OD	L	L1	E	H	H1	H4	C	ØK	ØK1	Z	Z1	BW	M1	
DN8	1/4"	0.43	0.43	2.5	0.89	4.41	2.87	0.33	1.46	0.35	1.97	1.42	0.28	0.24	0.54	4
DN10	3/8"	0.49	0.49	2.5	0.89	4.41	2.87	0.33	1.46	0.35	1.97	1.42	0.28	0.24	0.67	4
DN15	1/2"	0.59	0.62	2.5	0.89	4.41	2.87	0.33	1.46	0.35	1.97	1.42	0.28	0.24	0.84	4
DN20	3/4"	0.79	0.82	2.85	1.08	4.41	3.18	0.33	1.77	0.35	1.97	1.42	0.28	0.24	1.05	4
DN25	1"	0.98	1.05	3.19	1.34	5.35	3.56	0.45	2.11	0.35	1.97	1.42	0.28	0.24	1.31	4
DN32	1-1/4"	1.26	1.38	3.72	1.67	7.28	3.89	0.45	2.32	0.35	1.97	1.42	0.28	0.24	1.66	4
DN40	1-1/2"	1.5	1.61	4.25	2.05	7.79	4.54	0.55	2.94	0.55	2.76	1.97	0.35	0.28	1.9	4
DN50	2"	1.97	2.07	4.78	2.5	7.79	4.88	0.54	3.29	0.55	2.76	1.97	0.35	0.28	2.37	4
DN65	2-1/2"	2.56	2.47	6.2	3.37	10.51	6.1	0.71	4.28	0.67	4.02	2.76	0.43	0.35	2.87	4
DN80	3"	3.15	3.07	7.48	4.02	10.51	8.21	0.71	4.67	0.67	4.02	2.76	0.43	0.35	3.5	4
DN100	4"	3.94	4.03	8.86	5.06	12.68	8.53	0.71	6.06	0.67	4.02	2.76	0.43	0.35	4.5	4

