

**Fig no. V-355T Full Bore**  
1/4" ~ 4" DN 8 - DN 100



**Features :**

- Investment Casting Component
- Blow-out-proof stem, ISO 5211 direct mounting type
- In-line Maintenance
- For Chemical, Industrial Application
- Carbon Steel or Super Alloy upon request

**Standard Compliance :**

- Body wall thickness | EN 12516-1/2/3
- Threaded end : BS 21 (BSP)
- BSPT
- ISO 228-1G
- DIN 2999
- ISO 7-1Rp
- Face to Face : MD's standard
- Body material | EN1503-1
- Pressure testing : EN 12266

**Specification :**

- End connection : Threaded end
- Working Pressure : 140 BAR(CWP) / 2000 PSI for DN8-25
- 100 BAR(CWP) / 1500 PSI for DN32-50
- 63 BAR(CWP) / 1000 PSI for DN65-100

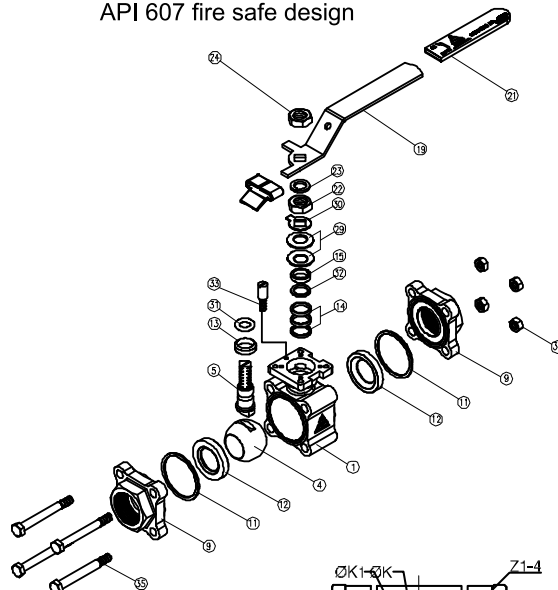
Temperature : -20 to 180 °C

**Option :**

- API 607 fire safe design

**MATERIAL LIST**

NO.	PART NAME	MATERIAL
1	BODY	ASTM A351 Gr.CF8M
4	BALL	ASTM A351 Gr.CF8M
5	STEM	SS316
9	END CAP	ASTM A351 Gr.CF8M
11	BODY SEAL	PTFE.
12	SEAT	PTFE.
13	THRUST WASHER	PTFE.
14	STEM PACKING	PTFE.
15	GLAND BUSH	SS304
19	HANDLE	SS304
21	HANDLE COVER	VINYL GRIP
22	STEM NUT	SS304
23	HANDLE WASHER	SS304
24	HANDLE NUT	SS304
29	BELLEVILLE WASHER	SUS304 CSP
30	TAB WASHER	SS304
31	STEM O-RING	VITON
32	PACKING FOLLOWER	PTFE.+25%GF
33	STOP PIN	SS304
35	BODY BLOT	SS304
37	BOLT NUT	SS304



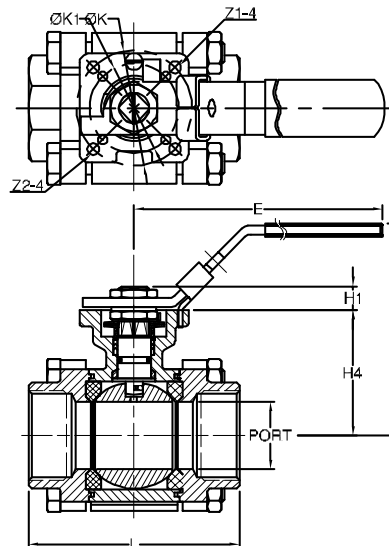
**DIMENSION**

unit:mm

SIZE	PORT	L	E	H	H1	H4	C	ØK	ØK1	Z1-4	Z2-4	
DN8	1/4"	11.5	56.1	112.0	72.9	8.5	37.0	9.0	50.0	36.0	7.0	6.0
DN10	3/8"	12.5	56.1	112.0	72.9	8.5	37.0	9.0	50.0	36.0	7.0	6.0
DN15	1/2"	15.0	68.0	112.0	72.9	8.5	37.0	9.0	50.0	36.0	7.0	6.0
DN20	3/4"	20.0	76.1	112.0	81.8	8.5	45.0	9.0	50.0	36.0	7.0	6.0
DN25	1"	25.0	84.6	136.0	90.5	11.4	53.5	9.0	50.0	36.0	7.0	6.0
DN32	1-1/4"	32.0	98.1	185.0	98.0	11.4	59.0	9.0	50.0	36.0	7.0	6.0
DN40	1-1/2"	38.0	111.2	197.9	114.7	14.0	74.8	14.0	70.0	50.0	9.0	7.0
DN50	2"	50.0	126.7	197.9	124.0	13.7	83.5	14.0	70.0	50.0	9.0	7.0

unit:inch

SIZE	PORT	L	E	H	H1	H4	C	ØK	ØK1	Z1-4	Z2-4	
DN8	1/4"	0.45	2.21	4.41	2.87	0.33	1.46	0.35	1.97	1.42	0.28	0.24
DN10	3/8"	0.49	2.21	4.41	2.87	0.33	1.46	0.35	1.97	1.42	0.28	0.24
DN15	1/2"	0.59	2.68	4.41	2.87	0.33	1.46	0.35	1.97	1.42	0.28	0.24
DN20	3/4"	0.79	3.0	4.41	3.22	0.33	1.77	0.35	1.97	1.42	0.28	0.24
DN25	1"	0.98	3.33	5.35	3.56	0.45	2.11	0.35	1.97	1.42	0.28	0.24
DN32	1-1/4"	1.26	3.86	7.28	3.86	0.45	2.32	0.35	1.97	1.42	0.28	0.24
DN40	1-1/2"	1.5	4.38	7.79	4.52	0.55	2.94	0.55	2.76	1.97	0.35	0.28
DN50	2"	1.97	4.99	7.79	4.88	0.54	3.29	0.55	2.76	1.97	0.35	0.28



**Fig no. V-355T Full Bore**  
**1/4" ~ 4" DN 8 - DN 100**



**Features :**

- Investment Casting Component
- Blow-out-proof stem, ISO 5211 direct mounting type
- In-line Maintenance
- For Chemical, Industrial Application
- Carbon Steel or Super Alloy upon request

**Standard Compliance :**

- Body wall thickness | EN 12516-1/2/3
- Threaded end : BS 21 (BSP)
- BSPT
- ISO 228-1G
- DIN 2999
- ISO 7-1Rp
- Face to Face : MD's standard
- Body material | EN1503-1
- Pressure testing : EN 12266

**Specification :**

- End connection | Threaded end
- Working Pressure : 140 BAR(CWP) / 2000 PSI for DN8-25
- 100 BAR(CWP) / 1500 PSI for DN32-50
- 63 BAR(CWP) / 1000 PSI for DN65-100
- Temperature : -20 to 180°C

**Option :**

- API 607 fire safe design

**MATERIAL LIST**

NO.	PART NAME	MATERIAL
1	BODY	ASTM A351 Gr.CF8M
4	BALL	ASTM A351 Gr.CF8M
5	STEM	SS316
9	END CAP	ASTM A351 Gr.CF8M
12	SEAT	PTFE.
13	THRUST WASHER	PTFE.
14	STEM PACKING	PTFE.
15	GLAND BUSH	SS304
19	HANDLE	SS304
21	HANDLE COVER	VINYL GRIP
22	STEM NUT	SS304
23	HANDLE WASHER	SS304
24	HANDLE NUT	SS304
28	STOP PLATE	SS304
29	BELLEVILLE WASHER	SUS304 CSP
30	TAB WASHER	SS304
31	STEM O-RING	VITON
32	PACKING FOLLOWER	PTFE.+25%GF
33	STOP PIN	SS304
35	BODY BLOT	SS304
37	BOLT NUT	SS304

**DIMENSION**

SIZE	PORT	L	E	H	H1	H4	C	ØK	ØK1	Z1-4	Z2-4	
DN65	2-1/2"	65.0	165.0	267.0	155.0	18.0	108.8	17.0	102.0	70.0	11.0	9.0
DN80	3"	80.0	208.0	267.0	208.5	18.0	118.3	17.0	102.0	70.0	11.0	9.0
DN105	4"	100.0	232.5	322.0	216.7	18.0	153.8	17.0	102.0	70.0	11.0	9.0

unit:mm

SIZE	PORT	L	E	H	H1	H4	C	OK	OK1	Z1-4	Z2-4	
DN65	2-1/2"	2.56	6.5	10.39	6.1	0.71	4.28	0.67	4.02	0.76	0.43	0.35
DN80	3"	3.15	8.19	10.39	8.21	0.71	4.66	0.67	4.02	0.76	0.43	0.35
DN105	4"	3.94	9.15	12.8	8.53	0.71	6.06	0.67	4.02	0.76	0.43	0.35

unit:inch

